



Voss lifting systems for heavy assembly at plant construction and engineering

Loading – unloading – installation
Handling of loads of any kind in a confined space

Dual cylinder hydraulic lifting gear with hydraulic lock up and automatic emergency operation valve for a maximum of safety



Laser guided control for the lifting height allows maximum precision when positioning loads and heavy machinery

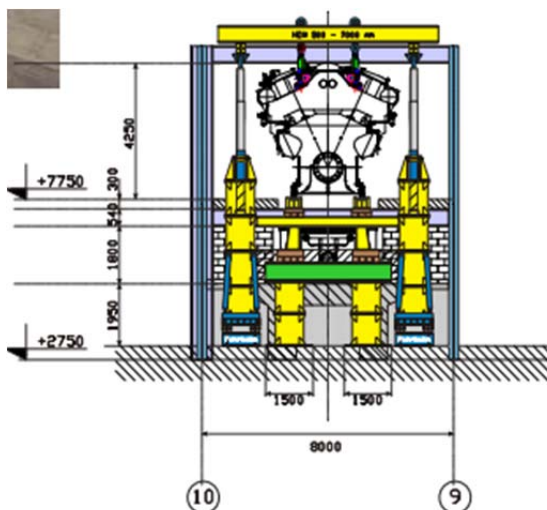
Various lifting gears for maximum flexibility

Tracks with step less transitions for a precise moving in a longitudinal direction of the load

The modular and compact design allows a cost effective mobility as well as an individual adjustment to the necessary lifting height

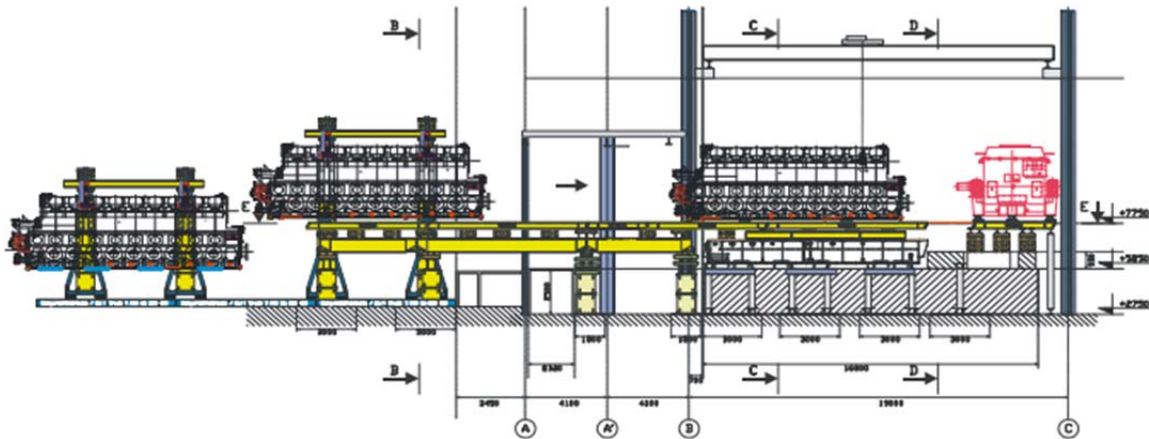
Mounting of a diesel engine 280 tons at the powerplant in Chekka, Libanon

Lifting the engine up to 4,5m above level – total lifting height 11,5 m



From planning to realisation- all under one roof

With constancy of performance at the highest degree of professional integrity and requisite technical competence in the specified field



Innovative solutions

Voss will find a complex solution even for the most difficult tasks

